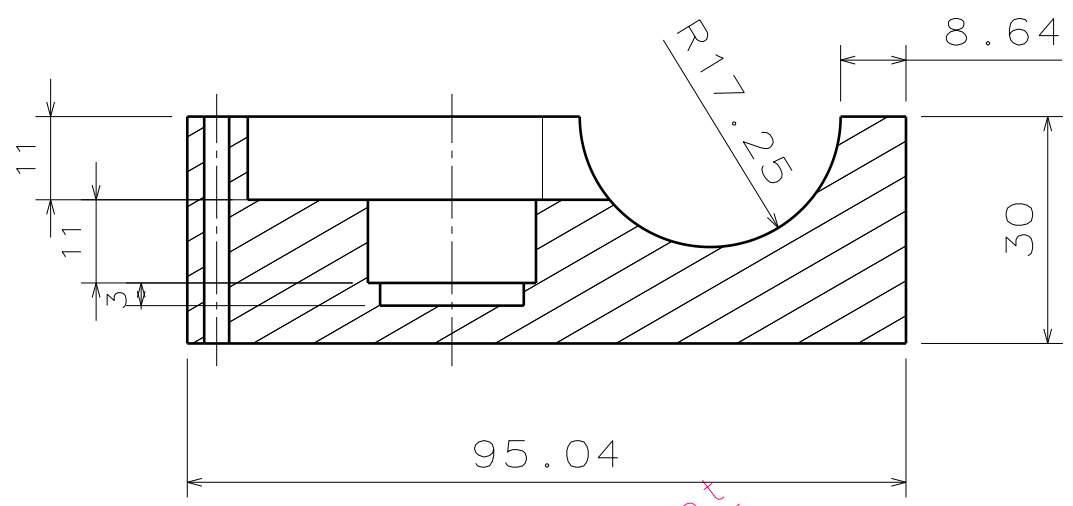


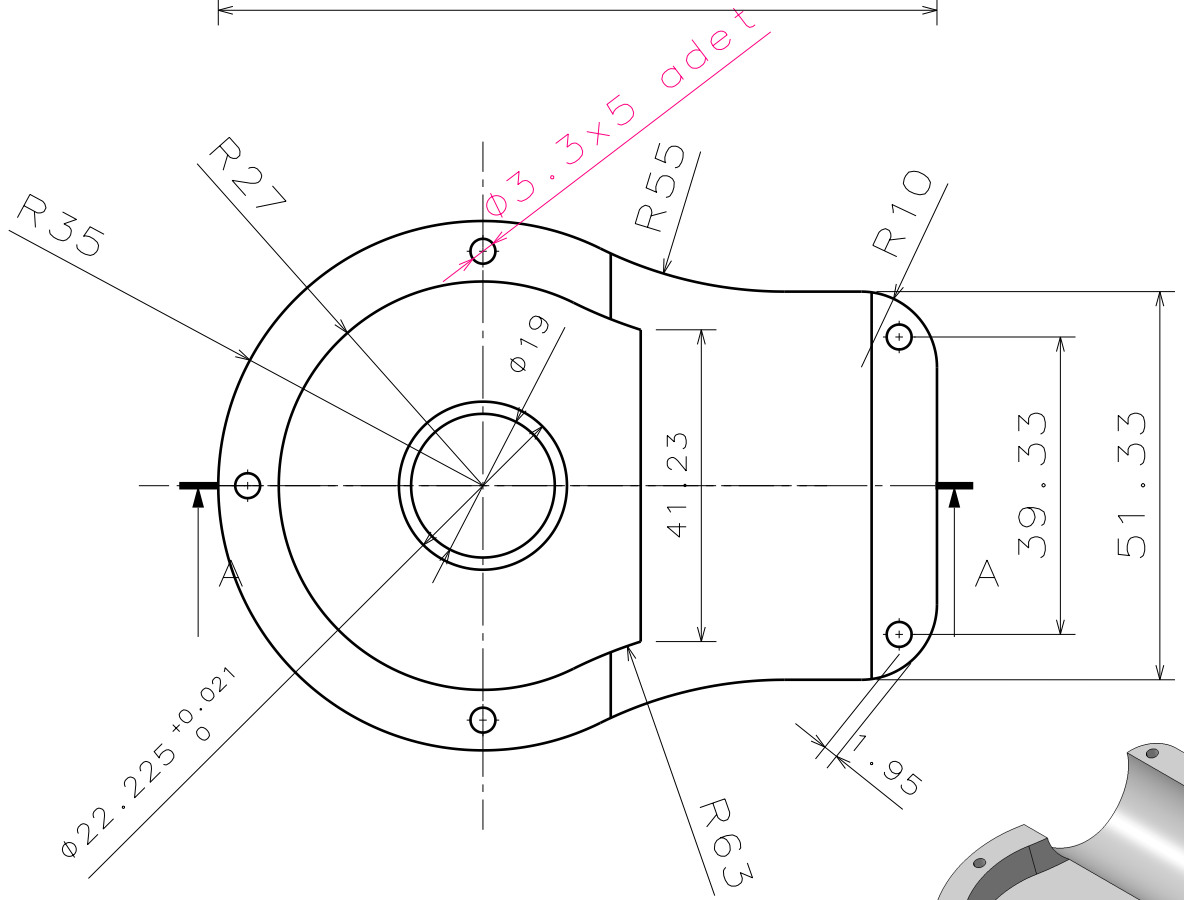
D C B A

4



4

3

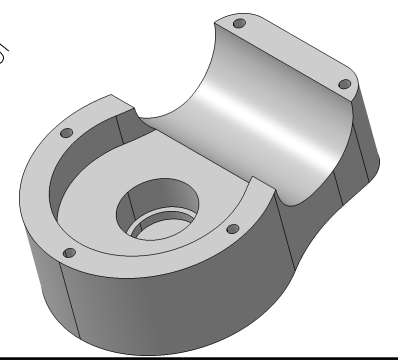


3

2

1 ADET

2



CUKUROVA RACING

CR-A3 SUSPENSION

DRAWING TITLE

DIREKSIYON DISLI KUTU

DRAWN BY
A. KUTSAL

DATE
21.02.2019

CHECKED BY
M. GEDIK

DATE
21.02.2019

SIZE
A4

MATERIAL
7075 ALUMINIUM

REV
5

DESIGNED BY
A. KUTSAL

DATE
21.02.2019

SCALE 1:1

WEIGHT (kg) 0,285

SHEET 1/1

1

1

D

A